

ITM6550 X RAY BAGGAGE SCANNER

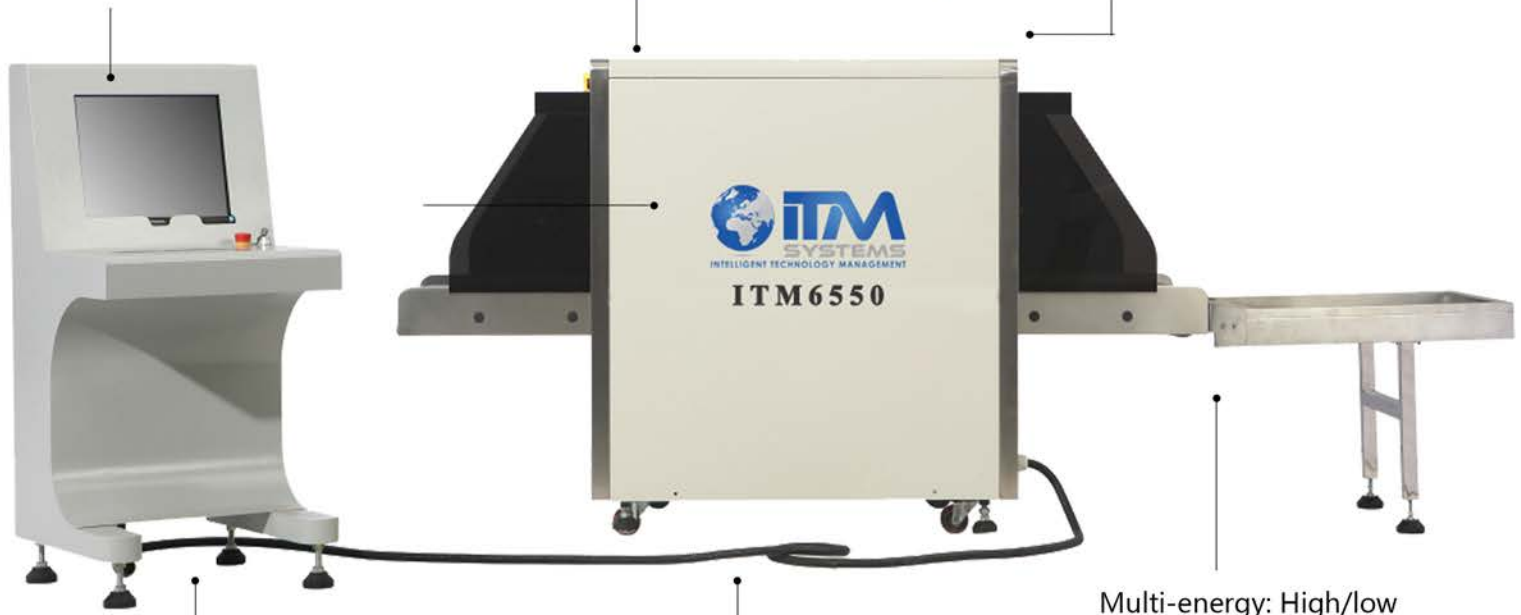


ITM SYSTEMS: The Global Leader of Security Metal Detectors and Checkpoint Screening

Display: High-resolution 19 inch color LCD display ;
Color quality: 24-Bit real colors based on materials

Color material identification:
Organic objects in orange,
inorganic objects in blue, mixture in green

Assist to detect drug and explosive powder



Super image enhancement:
Image detail is more distinct

Brightening/dimming:
Increase/Decrease brightness of image

Multi-energy: High/low energy: Switch from high energy to low energy

GENERAL SPECIFICATIONS:

- Tunnel Size : 650(W) ×500(H) mm
- Conveyor Speed: 0.22m/s
- Conveyor Max Load: 170 kg
- Single inspection dosage: < 1.2μGy
- Leakage radiation: <0.1μGy/h
- Wire Resolution: 40AWG
- Steel Penetration: 40mm
- Film Safety: For ISO 1600

ITM Systems offers its services to a wide range of customers from individuals to corporate businesses covering different sectors. As a company we manufacture tailored high tech security solutions for Banking, Airports, Hospitality, Transport, Universities, Telecom, Mining and Petroleum compounds,

X-RAY GENERATOR

1. Beam Direction: Upward;
2. Tube Current: 0.4~1.2MA (adjustable) ;
3. Anode voltage: 100-160KV (adjustable) ;
4. Angle: 80 °;
5. Cooling: Sealed oil bath with forced air;
6. Duty Cycle: Rated for 100%Duty Cycle;
7. Detector: L-shaped Array;

SPECIAL FEATURES

Network interface: Capable of connecting to LAN, and support multi-terminal check for baggage at same time;

Safety ray: Ray is transmitted under automatic control, avoiding the error;
One-key shutdown control: Just rotate the key to shut down the machine; it is safety, easy and convenient;

Eagle eye: Capable of expediently observing the magnifying area

Self-diagnosis function: Give message automatically if malfunction for prompt maintenance.



OPERATING ENVIRONMENT :

- ◆ Power Requirement: 220V AC (±10%) 50±3Hz
- ◆ Power consumption: 1.0KW (Max)
- ◆ Noise level: <58dB
- ◆ Spatial Resolution: 1.0mm Horizontal and Vertical
- ◆ Operating temperature/humidity: 0°C ~ 45°C/20% ~ 95% (Non-condensing)
- ◆ Storage temperature/humidity: -20°C ~ 60°C/20% ~ 95% (Non-condensing)

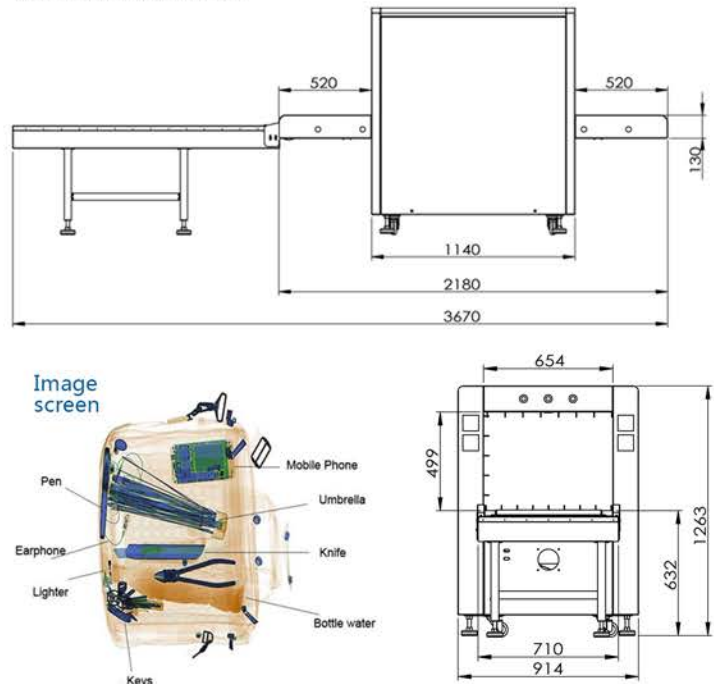
IMAGE PERFORMANCE SYSTEM

- A:** Display: High-resolution 19 inch color LCD display ;
- B:** Display Resolution: 1280*1024;24 bit/pixel Color ;
- C:** Color management architectures: Different color, different matter ;
- D:** High penetration display: Increase the contrast of bright area in image to make the area that is easy to penetrate appear more clearly;
- E:** Low penetration display: Increase the contrast of dark area in image to make the area that is difficult to penetrate appear more clearly.
- F:** Edge enhancement: The edge of image is more clear ;
- H:** Contrast Sensitivity: 24 Visible Levels, 4096 Gray Level
- I:** Zoom in/zoom out: Make the image bigger ,make the image smaller ;
- J:** Display the previous twenty images and process any one of them ; Restore image to initial status;
- K:** Brighter/darker: Make image more bright /make image darker ;
- L:** Replay: Playback all images on the screen at current , be able to do the next steps ;

APPLICATION AND CERTIFICATIONS

- Used for scenic spots, gymnasium, expo centre, left- baggage counter, supermarket, hotel ,court, prison..etc;
- Machine parts safeguard measures;
- High performance network function;
- Ministry of public security testing;
- EU CE Certification;
- ISO9001 Certification;
- ISO14001 Environmental Management;
- Radiation safety;

DIMENSION DRAWING:



ITM6550 X-ray baggage scanner can display pseudo color and black and white images, with simple and efficient operation, with reasonable human design. We provide a fully intelligent and secure inspection system for our customers.

ACCESSORIES :



X-Ray generator(150KV)
Brand: KV Tech



Detection board
Brand: DT (Finland)



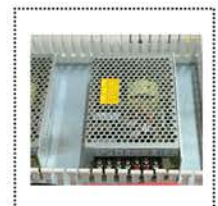
Automatic
Brand: Emerson in USA



Philips 19" Monitor



Roller
Brand: NTN(Japan)



Power supply
Brand: Mingwei (Taiwan)

CONTACT US :

ITM Systems Ltd

Address : Northwing, Broadway Court, Peterborough
PE1 1RP, United Kingdom

Call us : +441733567259